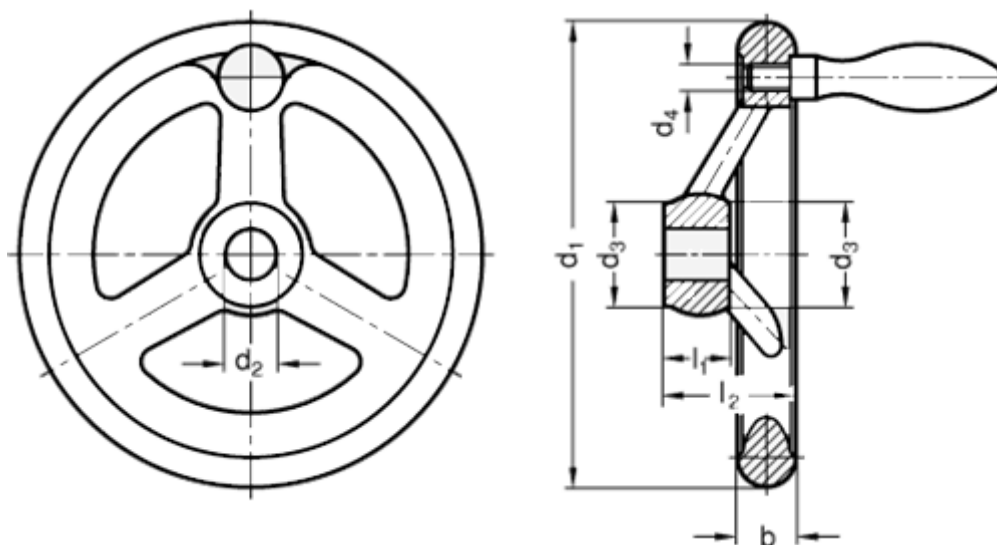


# Data Sheet



Article number: 201578306  
Description: E+G Handwheel  
GN 950.6-140-B14-F

## Measures



$b_1 = 17.0$   
 $d_1 = 140$   
 $d_2 = 14$   
 $d_3 = 29.0$   
 $d_4 = M8$   
 $l_1 = 19$   
 $l_2 = 38.5$